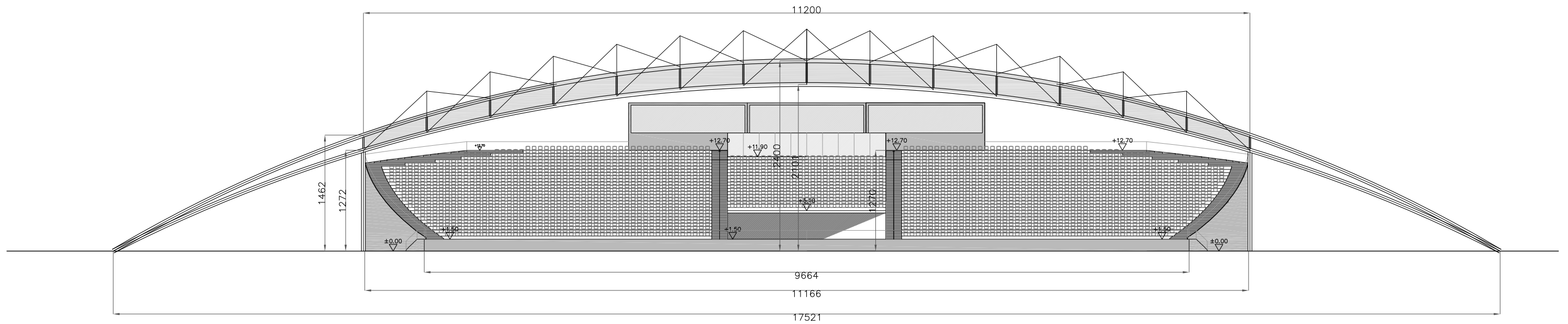
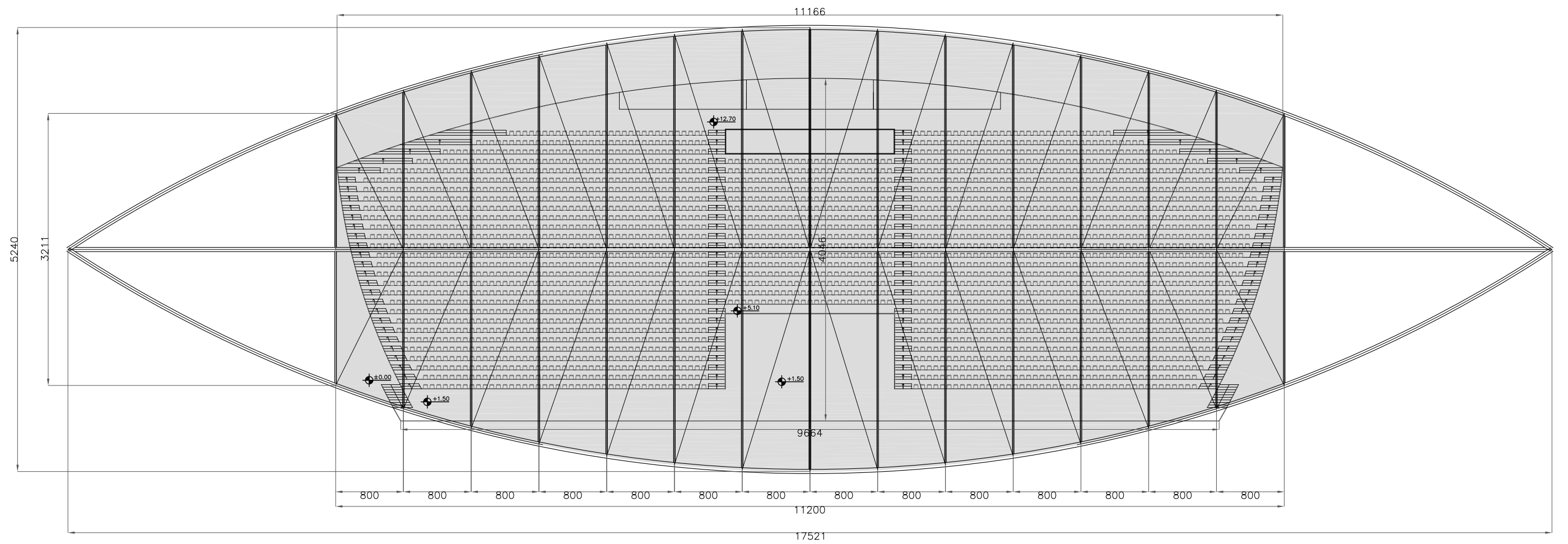


Plan View scale 1:1500

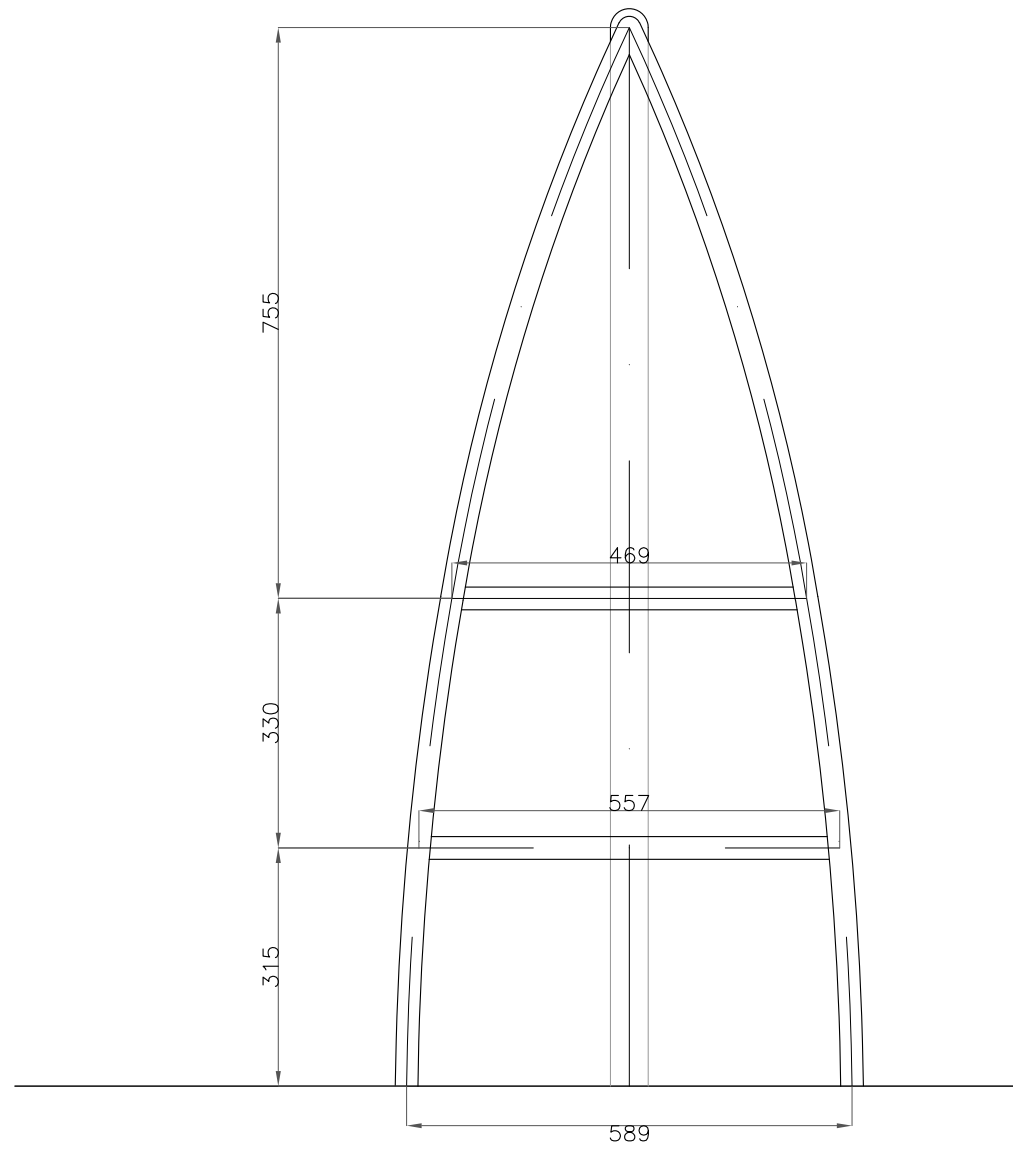


Front View

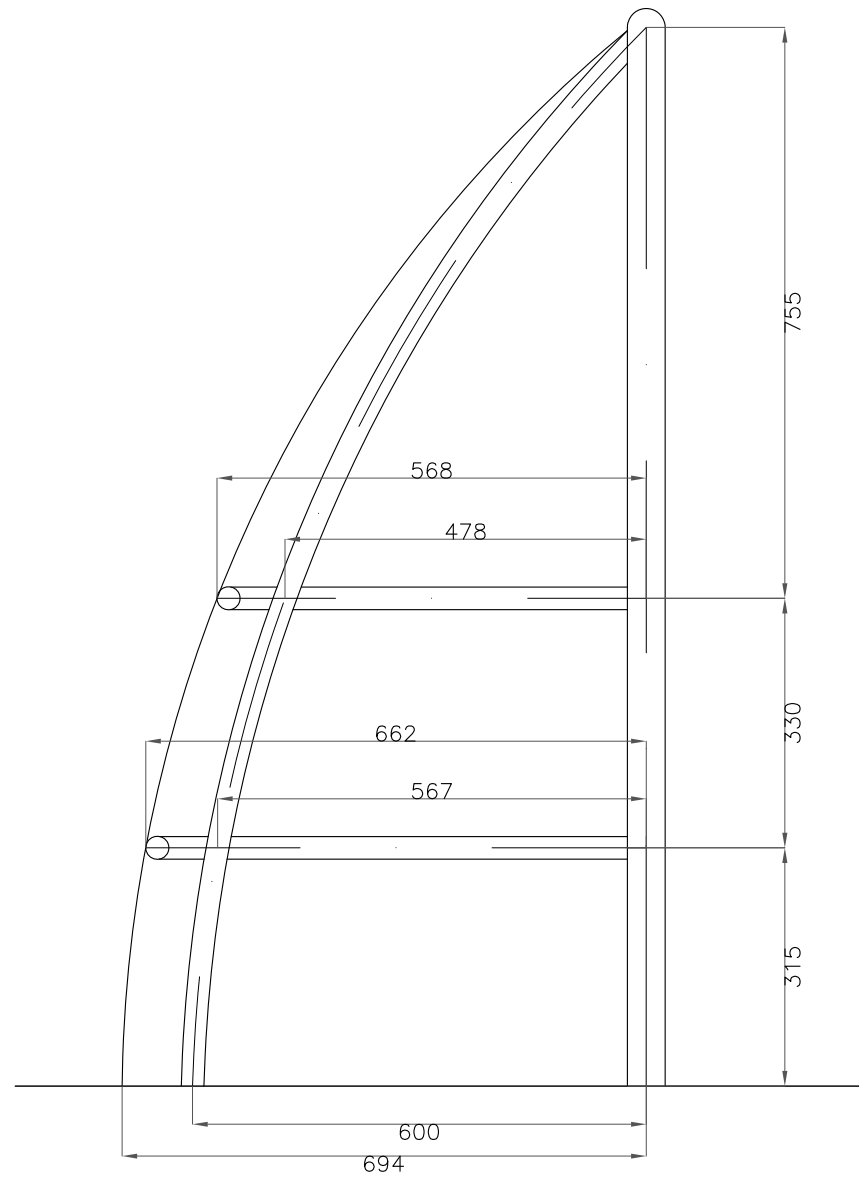


Plan

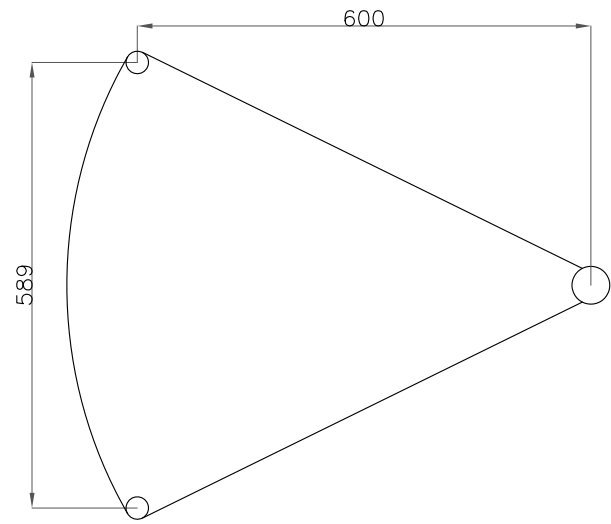
Grandstand and roof structure scale 1:500



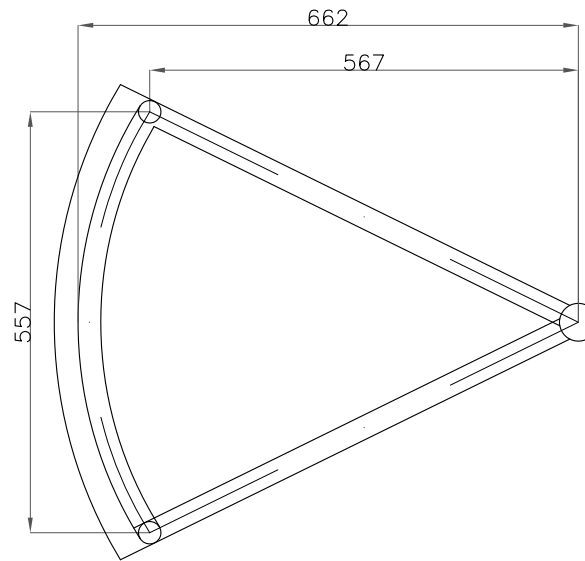
Front View



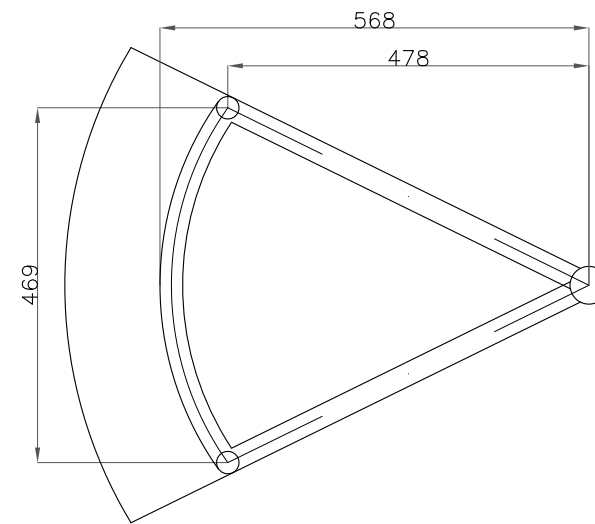
Lateral View



Ground Floor



1<sup>st</sup> Floor



2<sup>nd</sup> Floor

Judges' Tower scale 1:100